

Configurations

Nominal Service Voltages	480V 3-phase Delta
Maximum Continuous Operating Voltage	600V
Voltage Protection Levels*	1.1kV @ 500 A 3kV @ 40kA
Surge Current Ratings**	40kA
IEEE Location Category & Exposure Rating**	C3
Operating Temperature	-40 ° C to +80 ° C
Dimensions	3.54" H X 2.77" W X 2.64" L 9.0 cm X 7.04 cm X 6.7 cm
Service Frequency	50/60 Hz
Response Time (Max.)	<25 Nanoseconds

* Voltage protection level determined at 6kV 500A.

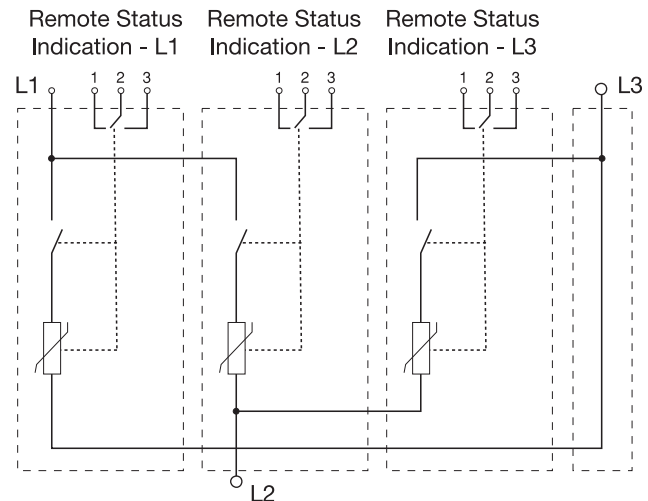
** Waveform, location category and exposure rating per IEEE/ANSI C62.41-1991.



Part # 1102-014-26

Features

- Meets C3 levels per IEEE C62.41
- Utilizes rugged MOVs
- Internal thermal disconnectors remove circuit in event of failure or fault
- Annunciation - front visible indication lever
- Remote NO-C-NC dry contact points
- CE compliant



Actual Applications

480V DIN rail industrial applications
Motor Drives
Air Conditioning
Air Handlers
Pumps
Lighting



Warranty

Five (5) year unconditional warranty
Ten (10) year manufacturer warranty